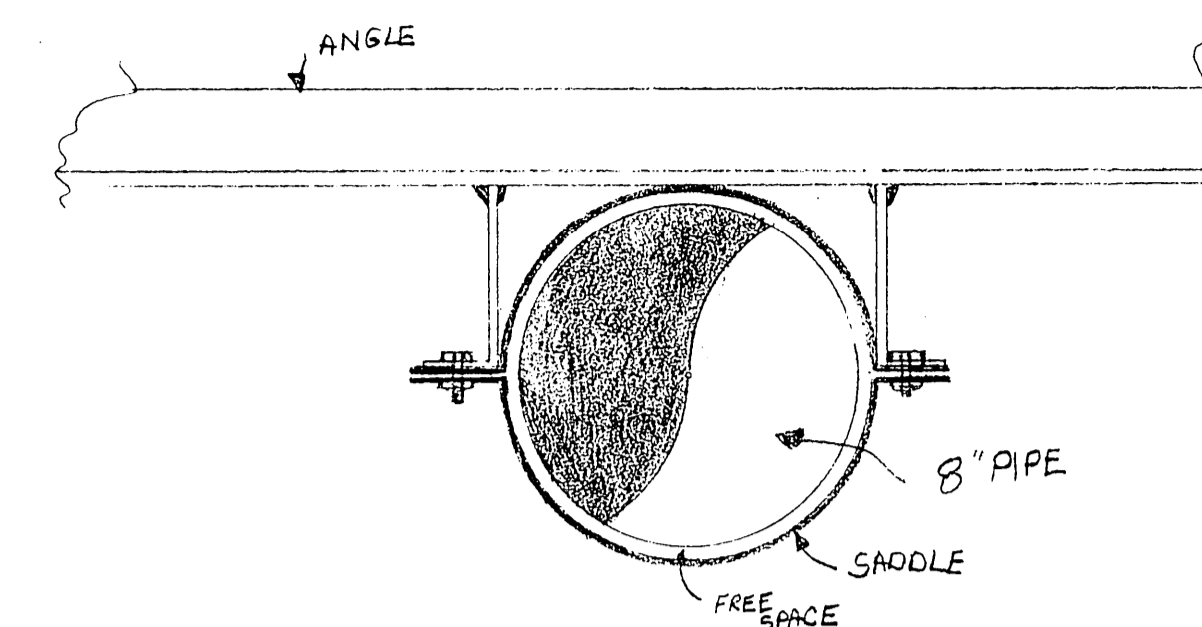
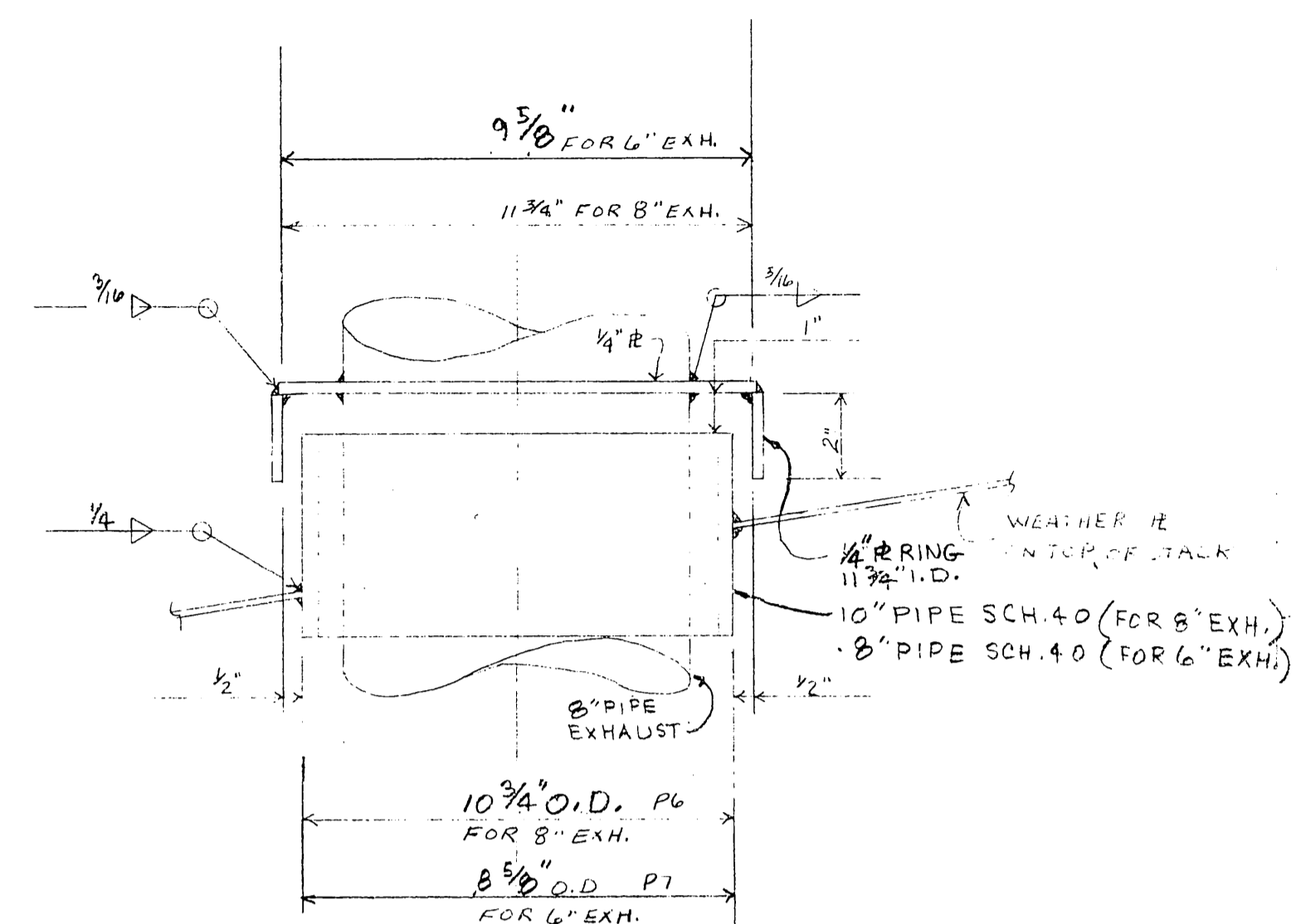
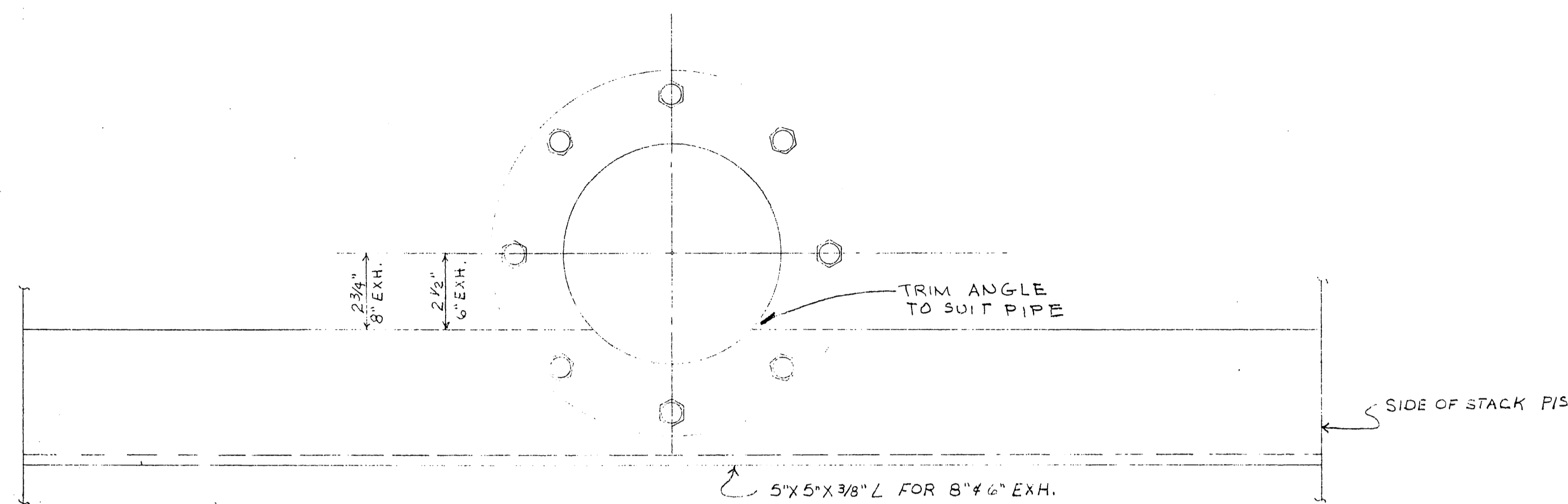
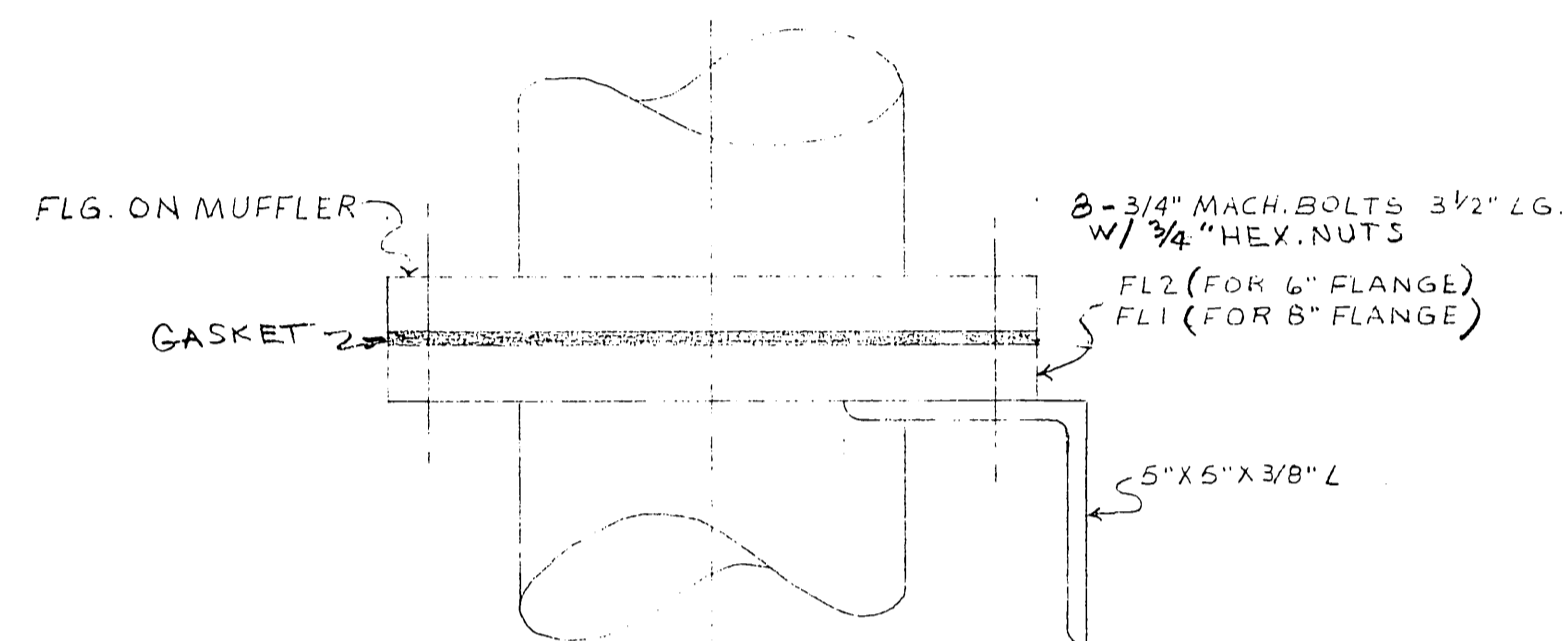


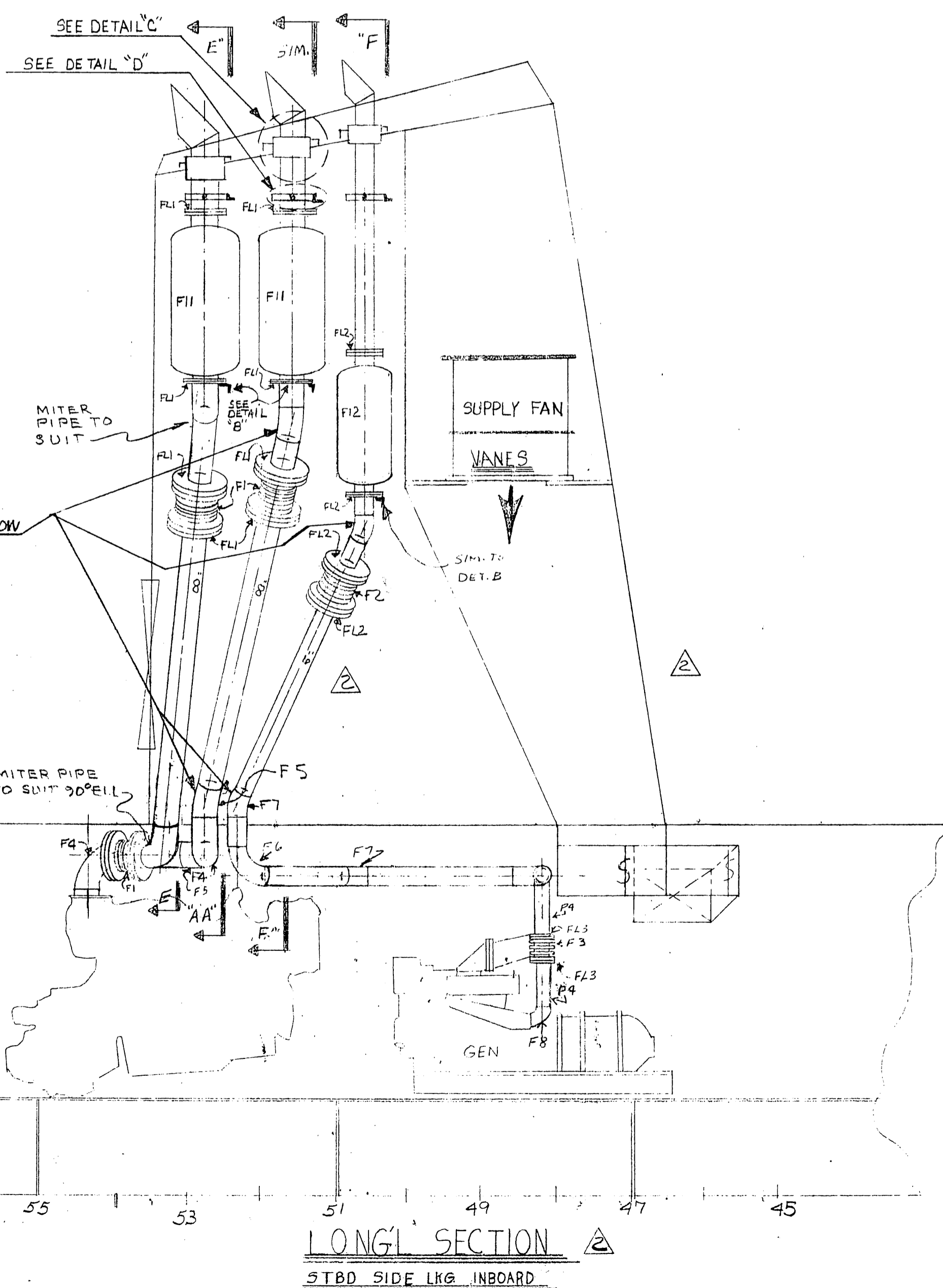
REV. MK	DESCRIPTION	BY	DATE	APPRD.
1	ADDITIONAL ITEMS ON BILL OF MATERIAL	BA	7-13-81	
2	GENERAL REVISION ON STACK, EXHAUST PIPING & VENTILATION PER MARKED-UP PRINT BY DALE GEARDS.	JT	8/5/81	



DETAIL "D"
SCALE: 3"=1'-0"



DETAIL - B
TYP. EXHAUST SUPPORT
SCALE: 3"=1'-0"



DETAIL C
SCALE: 3"=1'-0"

PC. NO.	QTY.	SIZE	DESCRIPTION	MAT'L	REMARKS
P1	65 FT.	8"	PIPE SCH 20 SMLS	BLA STL	ASTM A53 GR B ANSIB 36.10
P2	15 FT.	6"	PIPE SCH 20 SMLS		
P3	2 FT.	2"	PIPE SCH 20 SMLS		
F4	7	8"	90° ELB. SCH. 20		ASTM A234 ANSIB16.4 GRINNELL OR EQ.
F5	6	8"	45° ELB. SCH. 20		
F6	10	10"	90° ELB. SCH. 40		
F7	15	6"	45° ELB. SCH. 40		
F8	8	4"	90° ELB. SCH. 40		
P4	30 FT.	4"	PIPE SMLS		ASTM A53 GR B ANSIB 36.10
F1	6	8"	EXPAN JOINT 1 1/4" LG. 150 PSI	SIN STL	AMERICAN BOA # 3150 FS OR EQ.
F2	4	6"			
F3	8	4"			
FL1	21	8"	FLANGE 50# RF S.L.	F STL	ASTM A105 ANSIB16.5 GRINNELL OR EQ.
FL2	14	6"			
FL3	16	4"			
F10	48	3/4"	BOLTS W/ HEX. NUT (3/2" LG.)		
F11	3	8"	SPARK ARRESTOR MUFFLER FLGD.		MAXIMUM # MSA-1 OR EQ.
F12	4	6"			
F13	7	2"	CAPS SLD 150#	MI FLA.	ASTM A197 ANSIB16.3
P5	3 FT.	10"	PIPE SCH. 40 SMLS	BLA STL	ASTM A53 GR B ANSIB 36.10
P6	3 FT.	8"			
	1	36"	SUPPLY FAN 15 H.P.		HARTZELL 44MDVA D03 OR EQ.
	1	32"	SUPPLY FAN 10 H.P.		HARTZELL 44MDVA DN3 OR EQ.
	220 FT.		KAYLOID ASBESTOS FREE PIPE INSULATION CALCIUM SILICATE 2" THK. MOLDED W/ STN. STL WIRE 4 FIBERGLASS CLOTH. EXTERIOR EXH. PIPE ABOVE FLSLE DR TO BE COVERED W/ CPH GRAY MA.TIC		MARQUETTE INDUSTRIES INC. OR EQ.

NOTE!
PROVIDE SUFFICIENT CLEARANCE FOR PASSAGE THRU STACK OPENING TO STAIR, WHEN ROUTING EXHAUST

CONST. CHECK

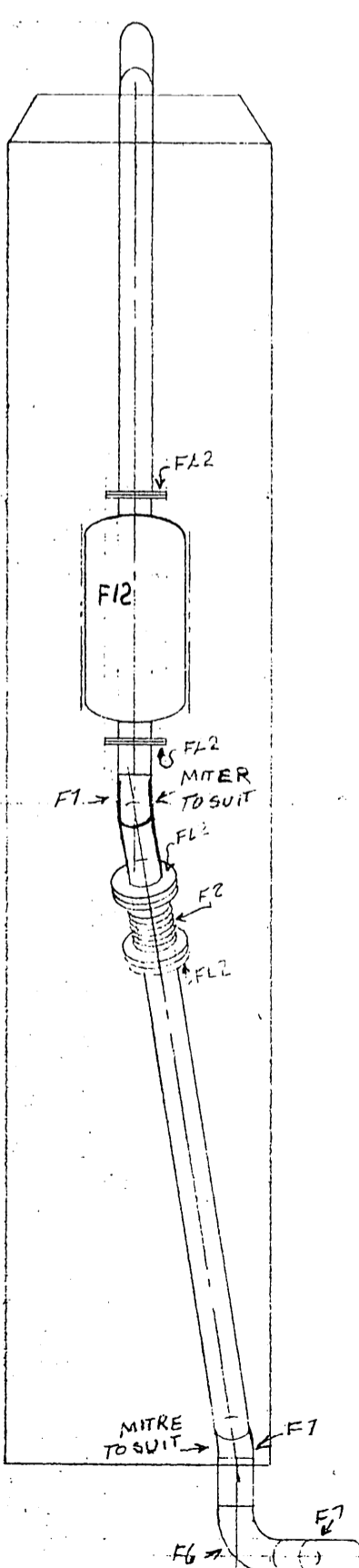
DESIGN ASSOCIATES, INC.
NAVAL ARCHITECTS MARINE ENGINEERS
NEW ORLEANS, LA.

TIDE WATER

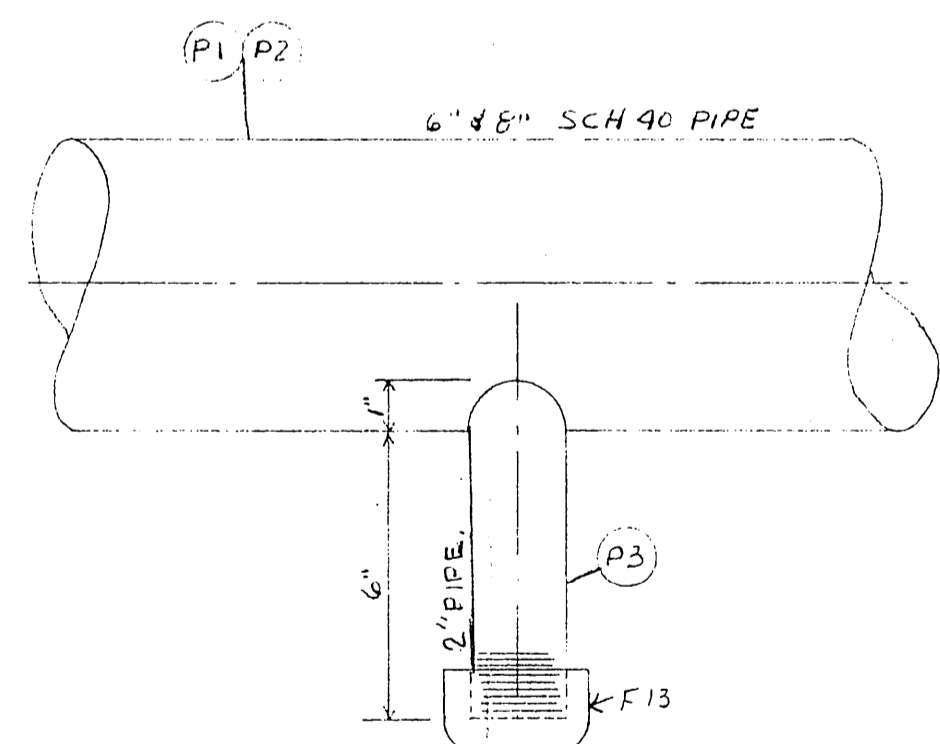
143'X36'X10' SEISMIC VESSEL

DETAILS OF EXHAUST PIPING

Drawn: BA/JT	Date: 6-11-81	Checked: PCB
Traced:	Date:	Checked:
Aprvd:	Date:	Scale: AS NOTED
Sheet 2 Of 2	Drawing No. C-2062-75	Re



SECTION "FF"
146.4 FT. STBD. SHOWN
PORT. SIM. BUT OPR. HAND



DETAIL - A
TYP. WTR. TRAP FOR 8" IC
SCALE: 3"=1'-0"